

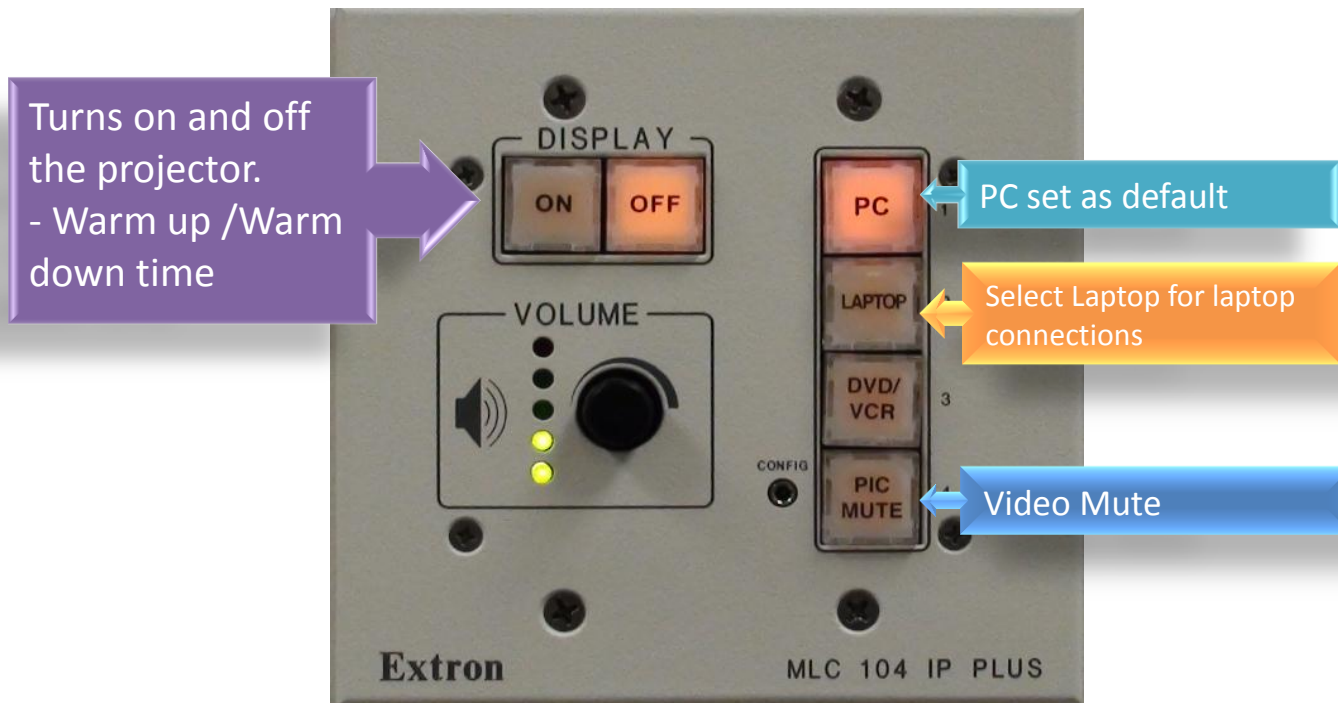


Audio Visual controls for Small Format Classrooms

The audio visual control panel for small format classrooms can be found adjacent to the main whiteboard. The figure below explains the functions of the buttons.

To turn on the projector, simply press the **ON** button. Select the button for the appropriate input desired.

To adjust the volume, simply rotate the dial under the **Volume** heading.



Turns on and off the projector.
- Warm up /Warm down time

PC set as default

Select Laptop for laptop connections

Video Mute